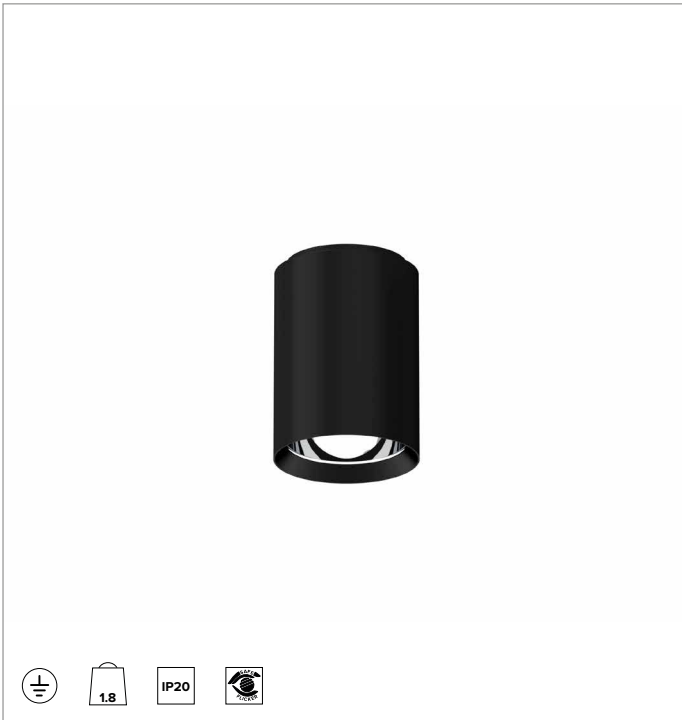
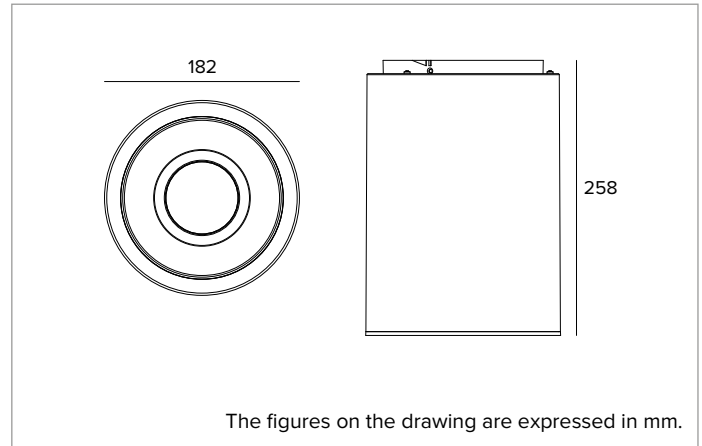


1T9682EL | CCTEVO TUBE 180

LED Ceiling-, suspension- or track mounted fixture



		4000K	H(m)	D(m)	Emax(lx)
		Ra90		58°	
Fixture Power	22W	1	1.11	3070	
Source Flux	3247lm	2	2.22	767	
Fixture Flux	2391lm	3	3.33	341	
Efficacy	109lm/W	4	4.44	192	
TS1534	Imax=945cd/klm	Imax	3070cd	5	5.55
					123



SOURCE

High efficiency Chip on Board LED Ra90. Ra80 on request.

Energy efficiency class: D

Nominal power: 19,6W

Nominal flux: 3247lm

Colour rendering index: 90

Rf: 90

Rg: 98

CCT nominal: 4000K

Lifetime (L80/B10): >50000h tq +25°C

ILLUMINOTECHNICAL CHARACTERISTICS

Decorative cut-off ring in thermoplastic material. Low luminance deep UGR optic for high visual comfort. Optic composed of a deep thermoplastic reflector with reflective metallisation and a protective anti-scratch coating, a holographic acrylic diffuser screen and a highly reflective white thermoplastic internal recuperator. UGR<19 and L65<1000 cd/m² (EN 12464-1).

Optic: REFLECTOR

Beam angles: WFL (UGR)

Optical efficiency: 74%

Fixture flux: 2391lm

Luminous efficacy: 109lm/W

Photobiological safety: Compliant with RG1 low risk group

MECHANICAL CHARACTERISTICS

Painted aluminium body. Galvanized steel Internal structure and passive heat sink in die-cast aluminum with protective cathoporesis treatment.

Colour and finish: Deep black

Weight: 1.8Kg

Degree of protection: IP20

ELECTRICAL CHARACTERISTICS

Driver integrated in the body of the fixture, available in the electronic ON-OFF version. Luminaire compliant with EN 60598-2-22 for power supply from a centralised emergency system CPSS (Central Power Supply System), not incorporated in the luminaire - high risk areas excluded. The default power and flux are 100% in AC and 100% in DC.

Fixture Power: 22W

Power supply: 230Vac 50Hz

Insulation Class: CLASS 1

Type of driver / Control: ON-OFF

Driver included: YES

Class F: YES

SAFE FLICKER: PstLM=<1 and SVM=<0.4 (IEC TR 61547-1 and IEC TR 63158), to ensure a more comfortable and safe light

Ambient temperature: 0°C / +25°C

INSTALLATION

To be completed with ceiling, suspension or track mounting system.

WARRANTY

5 years.

WARNING

Luminaire designed for disposal/recycling at end-of-life. Replaceable (LED only) light source by a professional. Replaceable control gear by a professional.

Due to the technological evolution of the electronic components, the data provided may be updated, and as such, confirmation must be requested during the order process.

Luminous flux and power supply have +/-10% tolerances with respect to the indicated value. tq +25°C (CIE 121).

We reserve the right to make technical changes.

Targetti Sankey S.r.l.
Via Pratese, 164
50145 Firenze - Italy
Tel: +39 055 37911
targetti.com
targetti@targetti.com

CCIAA Firenze
Share Capital:
€ 500.000,00
VAT N. (IT):
01537660480
R.E.A.: FI-275656

TARGETTI

1T9682EL | CCTEVO TUBE 180
LED Ceiling-, suspension- or track mounted fixture

Related codes

Mounting System



Colour	Code
●	1T9692

Ceiling mounting kit.
For CCTEVO Tube 180.



L mm	Driver	Colour	Code
2000	ON-OFF	●	1T9694EL

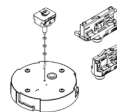
Suspension kit.
For CCTEVO Tube 180.

Mounting System



Driver	Colour	Code
ON-OFF	●	1T9688EL

Kit for track installation.
For CCTEVO Tube 180.



L mm	Driver	Colour	Code
2000	ON-OFF	●	1T9690EL

Track suspension kit.
For CCTEVO Tube 180.

Due to the technological evolution of the electronic components, the data provided may be updated, and as such, confirmation must be requested during the order process.
Luminous flux and power supply have +/-10% tolerances with respect to the indicated value. tq +25°C (CIE 121).

We reserve the right to make technical changes.

Targetti Sankey S.r.l.
Via Pratese, 164
50145 Firenze - Italy
Tel: +39 055 37911
targetti.com
targetti@targetti.com

CCIAA Firenze
Share Capital:
€ 500.000,00
VAT N. (IT):
01537660480
R.E.A: FI-275656

